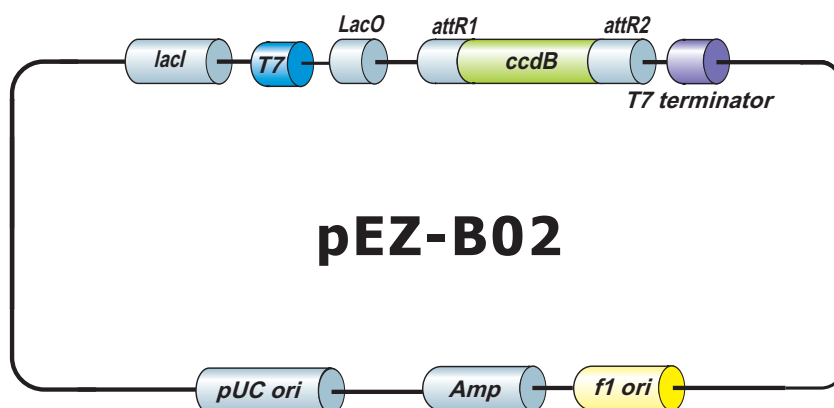


## EZShuttle™ Recombination Cloning Expression Vector pEZ-B02

7058 bp, circular



### Vector Features

Name	Start	End
T7 terminator	490	537
f1 origin	574	1029
Ampicillin resistance gene (complementary strand)	1144	2004
AmpR promoter (complementary strand)	2005	2097
pUC ori	2178	2766
<i>lacI</i> (complementary strand)	3959	5041
T7 promoter	5432	5450
lac operator	5451	5475
<i>attR1</i>	5490	5614
<i>ccdB</i>	6712	7017
<i>attR2</i>	7058	26

### Sequencing Primers

Primer	Sequence
Forward	5'- ccggcgtagaggatcgag -3'
Reverse	5'- tagttattgctcagcggg -3'

GeneCopoeia, Inc.  
9620 Medical Center Drive, #101  
Rockville, MD 20850  
Tel: 301-762-0888 Fax: 301-762-3888  
Email: [inquiry@genecopoeia.com](mailto:inquiry@genecopoeia.com) Web: [www.genecopoeia.com](http://www.genecopoeia.com)

GeneCopoeia products are for research use only

© 2015, GeneCopoeia, Inc