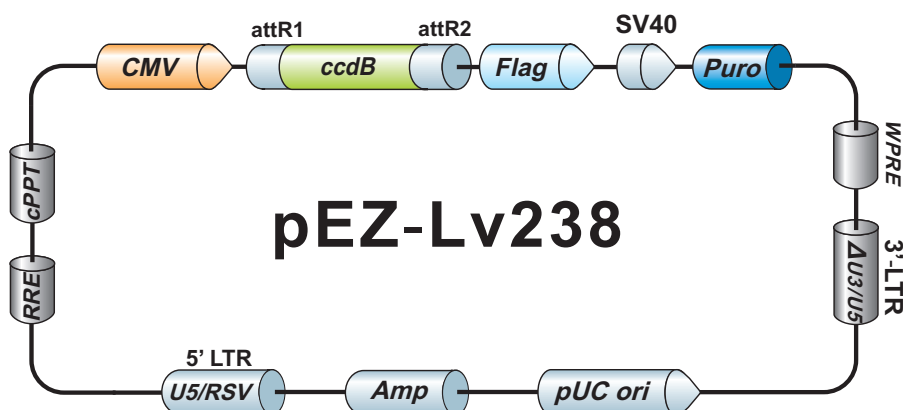


## EZShuttle™ Recombination Cloning Expression Vector pEZ-Lv238

8952 bp, circular



### Vector Features

Name	Position
Flag	1 24
SV40 promoter	33 400
Puromycin resistance gene	435 1034
WPRE	1048 1639
3'-LTR(delta U3/U5)	1842 2078
pUC ori (complementary strand)	2537 3207
Ampicillin resistance gene (complementary strand)	3352 4212
5'-LTR(RSV/U5)	4627 5038
RRE	5709 5942
cPPT	6434 6557
CMV Promoter	6654 7248
attR1	7255 7378
CmR	7487 8146
ccdB	8476 8781
attR2	8822 8945

### Sequencing Primers

Primer	Sequence
Forward	5'- cggtgggaggtctatataagcag -3'
Reverse	5'- ctggaatagctcagaggc -3'

GeneCopoeia, Inc.  
9620 Medical Center Drive, #101  
Rockville, MD 20850  
Tel: 301-762-0888 Fax: 301-762-3888  
Email: [inquiry@genecopoeia.com](mailto:inquiry@genecopoeia.com) Web: [www.genecopoeia.com](http://www.genecopoeia.com)

GeneCopoeia products are for research use only

© 2015, GeneCopoeia, Inc