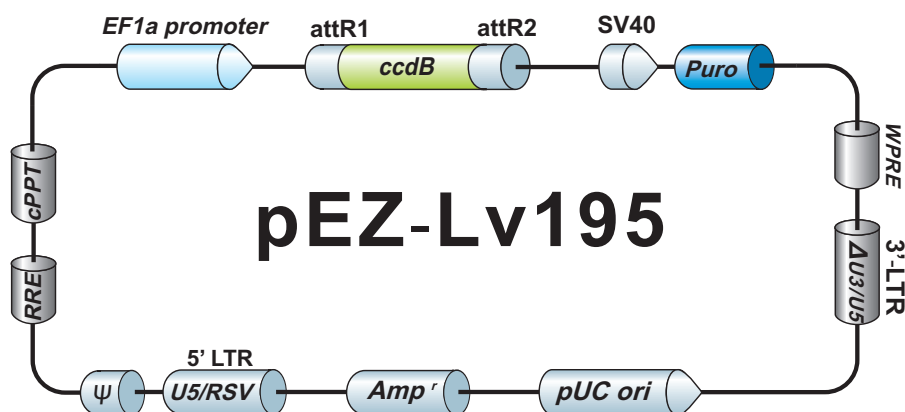


EZShuttle™ Recombination Cloning Expression Vector pEZ-Lv195

8873 bp, circular



Vector Features

Name	Position
SV40 promoter	16 345
Puromycin resistance gene	409 1008
WPRE	1022 1613
3'-LTR(delta U3/U5)	1816 2052
pUC Ori (complementary strand)	2511 3181
Ampicillin resistance ORF (complementary strand)	3326 4186
5'-LTR(RSV/U5)	4601 5012
RNA packaging signal (Psi) sequence	5121 5165
RRE	5683 5916
cPPT	6408 6531
EF1a promoter	6628 7173
attR1	7181 7305
CmR	7414 8073
ccdB	8403 8708
attR2	8749 8873

Sequencing Primers

Primer	Sequence
Forward	5'- GTTTCGTTTTCTGTTCTGC-3'
Reverse	5'- CTGGAATAGCTCAGAGGC-3'

GeneCopoeia, Inc.
9620 Medical Center Drive, #101
Rockville, MD 20850
Tel: 301-762-0888 Fax: 301-762-3888
Email: inquiry@genecopoeia.com Web: www.genecopoeia.com

GeneCopoeia products are for research use only

© 2015, GeneCopoeia, Inc